


Isolated HART temperature transmitter PT100 and thermocouple

CNL40iG

LOREME

- **Universal** RTD (3 or 4 wires), thermocouple, mV, mA
- **CNL40iG** Galvanic isolation
- **CNL40iGH** + HART protocol
- **CNL40iGL** Low cost version
- **Fully configurable** RS232 and HART
- **FDT certified DTM HART Drivers** 
- **Loop powered:** Powered by the 4-20 mA loop current
- **SIL2 conformity** according to IEC 61508

HART



The CNL40ig is a universal smart in-head mounting temperature sensor transmitters. Cover all temperature measurement (RTD and thermocouples) in all range with an unique device. The CNL40igH integrate the HART communication protocol, FDT compliant and it is available with SIL2 conformity according to IEC 61508 standard.

Temperature measurement:

- Thermocouples, platinum resistance sensor.

Sensor correction:

- RTD and thermocouple linearization,
- Cold junction compensation for thermocouple,
- Line length compensation for RTD.

Process measures:

- Voltage (mV), current (mA) on external shunt.

Signal conditioning:

- Square root extraction (on process measures),
- Programmable sensor breaking safety value,
- Programmable response time from 0.2 to 60 sec. (measure filtering function)
- Reverse or standard output,
- Measure offset adjustment,
- Neutralization of ambient thermal variation effects

Features:

- Temperature sensor in-head anti-vibration mounting: optimal fitting of measure element in thermowell with the spring loaded. Improved reliability and response time accuracy.
- wiring on spring terminal (stainless) (1.5mm² wire section),
- loop voltage presence indicated by Led,
- reverse polarity protected,
- input/output isolation (elimination of measure errors due to ground loop),
- protection rating (enclosure/terminals): IP68 / IP20

Mounting and connection:

- For DIN B head, M4 screw (33mm between axis)
- wide central tunnel for wires path (7 mm diameter)

Performance / Environment:

- Long-term stability 0.1 % / year,
- operating temperature up to 85 °C peak,
- excellent EMC performance,
- resistant, protected against shocks and vibrations (silicon bonding resin)

Configuration

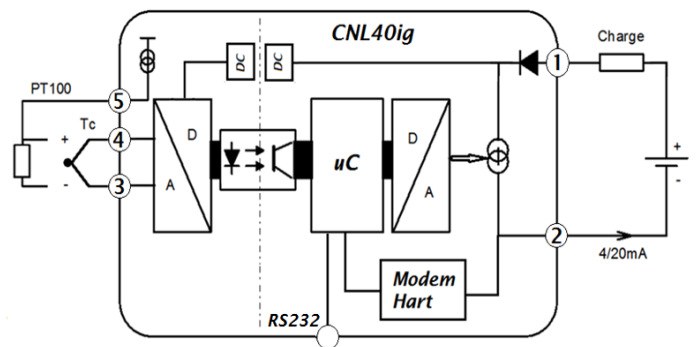
- setting by RS232 serial link (terminal mode without specific software)
- USB-RS232 cable available separately
- Online communication and setting with standard HART programming handheld (cnl40igH)

Operational safety data:

Type B components, HFT = 0
 λ f : 458 fit (1/MTBF)
 DC : 91.8 % (Diagnostic Coverage)
 PFH : 21 fit (Probability of Failure per Hour)
 SFF : 95.4.1 % (Safe Failure Fraction)



Synoptic



Version and order code

[Request a quote](#) 

CNL40ig: isolated RTD 3 wires, thermocouple, mV, mA input
CNL40ig-NW: Special thermocouple: N , W3, W5, ...
CNL40igH: isolated RTD 3 wires, thermocouple, mV, mA input (with HART communication protocol)

CNL40ig-4f: isolated RTD 4 wires, thermocouple, mV, mA input
CNL40igH-4f: isolated RTD 4 wires, thermocouple, mV, mA input (with HART communication protocol)

Option : /L Low cost version (20 bits input converter)
/SIL2 Sil2 version according to IEC61508


Option : /RD with DIN rail mounting hook



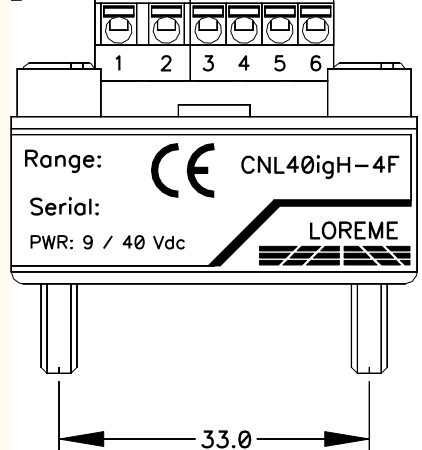
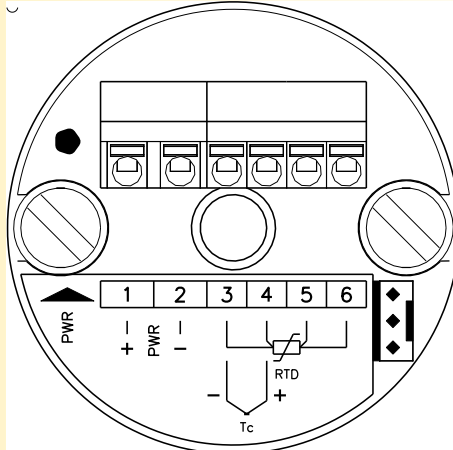
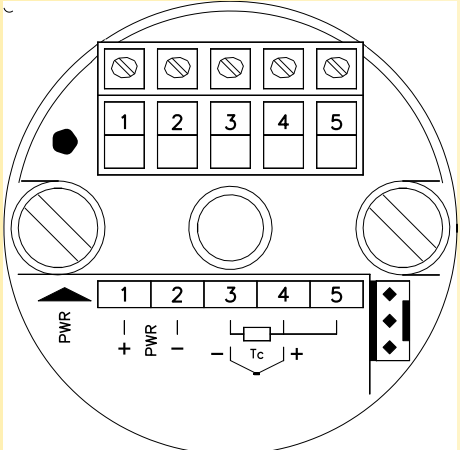
INPUT			
TYPE	RANGE	ACCURACY	
		(24bits resol.) CNL40IG	(20bits resol.) CNL40IGL
Tc B	200.....1800 °C	+/- 2 °C	+/- 2 °C
Tc E	-250.....1000 °C	+/- 0.4 °C	+/- 0.7 °C
Tc J	-200.....600 °C	+/- 0.4 °C	+/- 0.7 °C
Tc K	-200.....1350 °C	+/- 0.4 °C	+/- 0.7 °C
Tc R	0.....1750 °C	+/- 1 °C	+/- 1.5 °C
Tc S	-50.....1600 °C	+/- 1.5 °C	+/- 1.5 °C
Tc T	-250.....400 °C	+/- 0.5 °C	+/- 0.7 °C
CNL40IG-NW			
Tc N	-250.....1500 °C	+/- 0.5 °C	
TC W3	0.....2300 °C	+/- 2 °C	
TC W5	0.....2300 °C	+/- 2 °C	
Compensation T°	-20 to 85 °C	+/- 0.3 °C	+/- 0.4 °C
Input impedance		>1Mohms	
RTD (2, 3 wires mounting) excitation current Line influence	-200/800°C	+/- 0.3 °C	+/- 0.4 °C
		300 µA	
		0.3°C / 10 Ohms	
Voltage	0 /120 mV	+/- 0,02 mV	+/- 0,02 mV
Current	0 /30 mA	+/- 0,025 mA	+/- 0,025 mA
(on external 2,5 Ohms shunt)			
Response time		~ 200 ms	
Sampling rate		6 / second	

POWER SUPPLY / OUTPUT (14 bits resolution)		
TYPE	RANGE	ACCURACY
Loop powered	13 to 40Vdc	
Current	4 / 20 mA	+/- 0.01 mA
Load @ 24Vdc		550 Ohms
Power supply influence		0.002 % / V
Load influence		0.004 % / 100 Ohms
Intrinsic consumption		<3.6 mA
Burn out current		3.6... 21mA
Dielectric strength (Input / Output)		1000 Vrms (CNL40ig)

ENVIRONMENT	
Operating temperature	-30 to +65 °C
Storage temperature	-30 to +85 °C
Influence (% of full scale)	< 0.01 % / °C
Relative humidity	85 % not condensed
Weight	45 g
MTBF (IEC 62380)	> 2 180 000 Hrs @ 30°C
Life time	> 250 000 Hrs @ 30°C

Electromagnetic compatibility 2014/30/UE / Low Voltage Directive 2014/35/UE			
Immunity standard for industrial environments EN 61000-6-2	Emission standard for industrial environments EN 61000-6-4		
EN 61000-4-2 ESD	EN 61000-4-8 AC MF		EN 55011
EN 61000-4-3 RF	EN 61000-4-9 pulse MF		group 1 class A
EN 61000-4-4 EFT	EN 61000-4-11 AC dips		
EN 61000-4-5 CWG	EN 61000-4-12 ring wave		
EN 61000-4-6 RF	EN 61000-4-29 DC dips		

WIRING AND OUTLINE DIMENSIONS:



CNL40ig: isolated RTD 3 wires thermocouple, mV, mA input

CNL40ig-4f: isolated RTD 4 wires thermocouple, mV, mA input

CNL40igH: isolated RTD 3 wires, thermocouple, mV, mA input (with HART communication protocol)

CNL40igH-4f: isolated RTD 4 wires, thermocouple, mV, mA input (with HART communication protocol)

